

Schemes – RFI 421

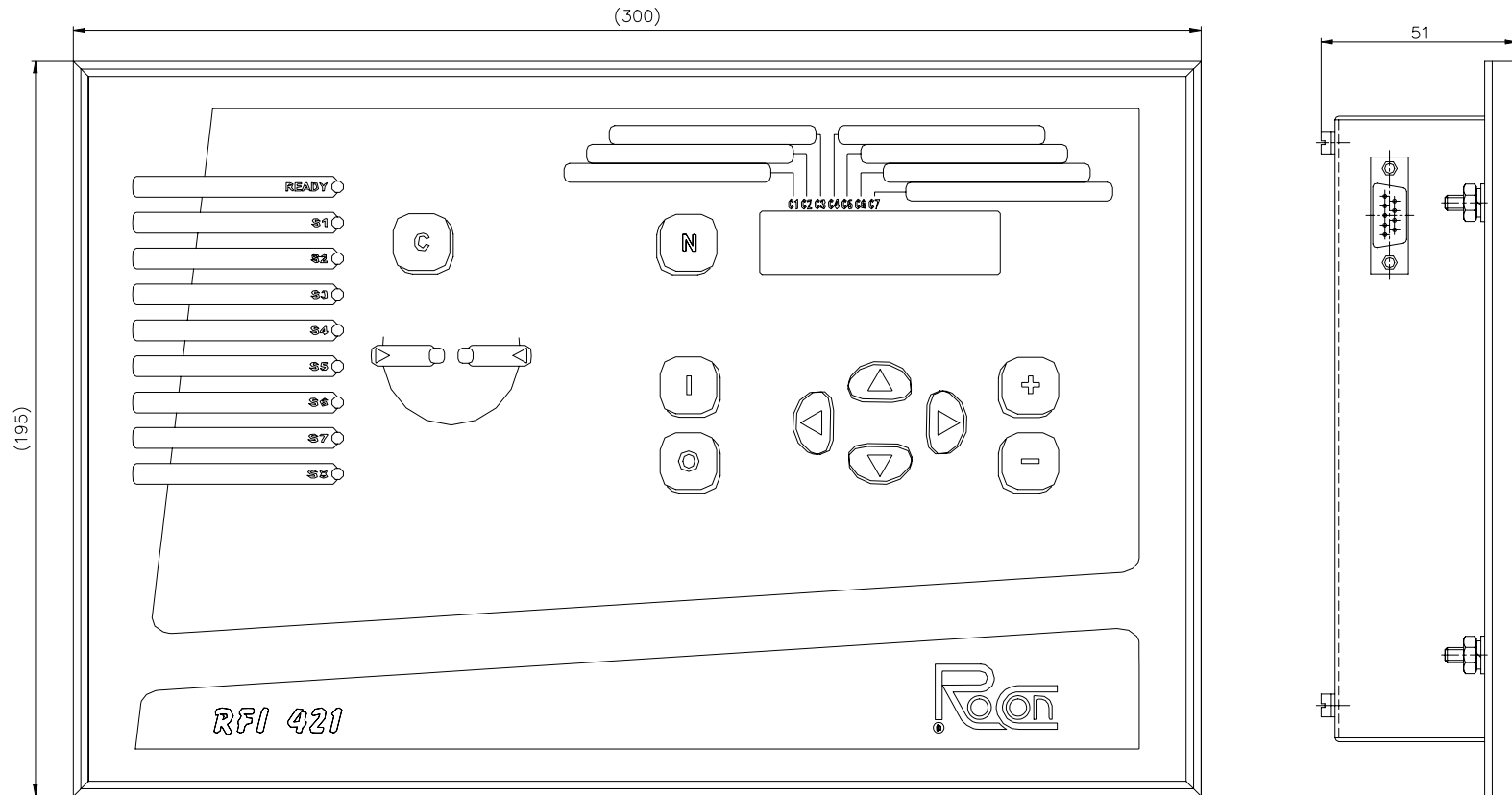


Fig. 1a: Flush mounting dimensions, front face

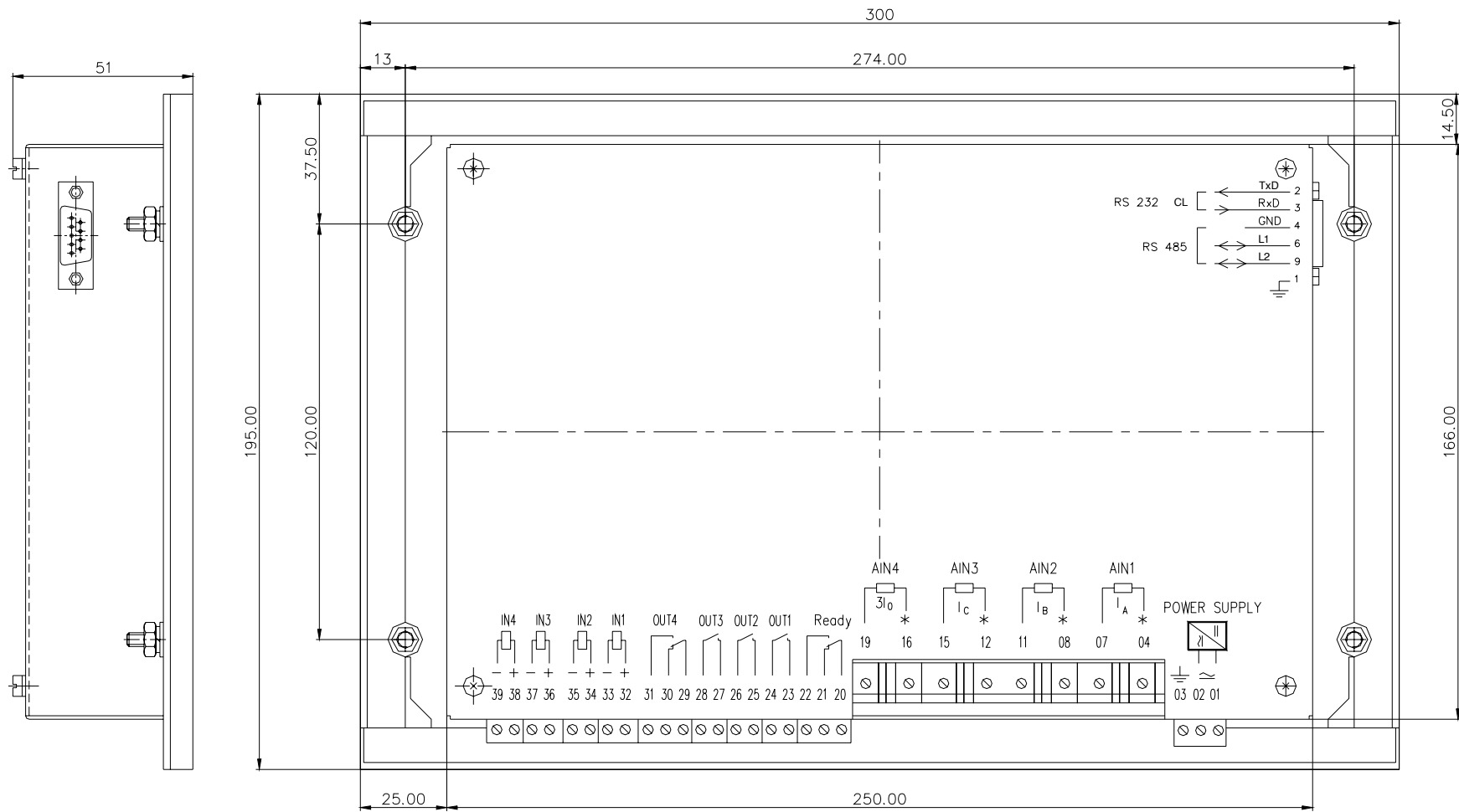


Fig. 1b: Flush mounting dimensions, rear side

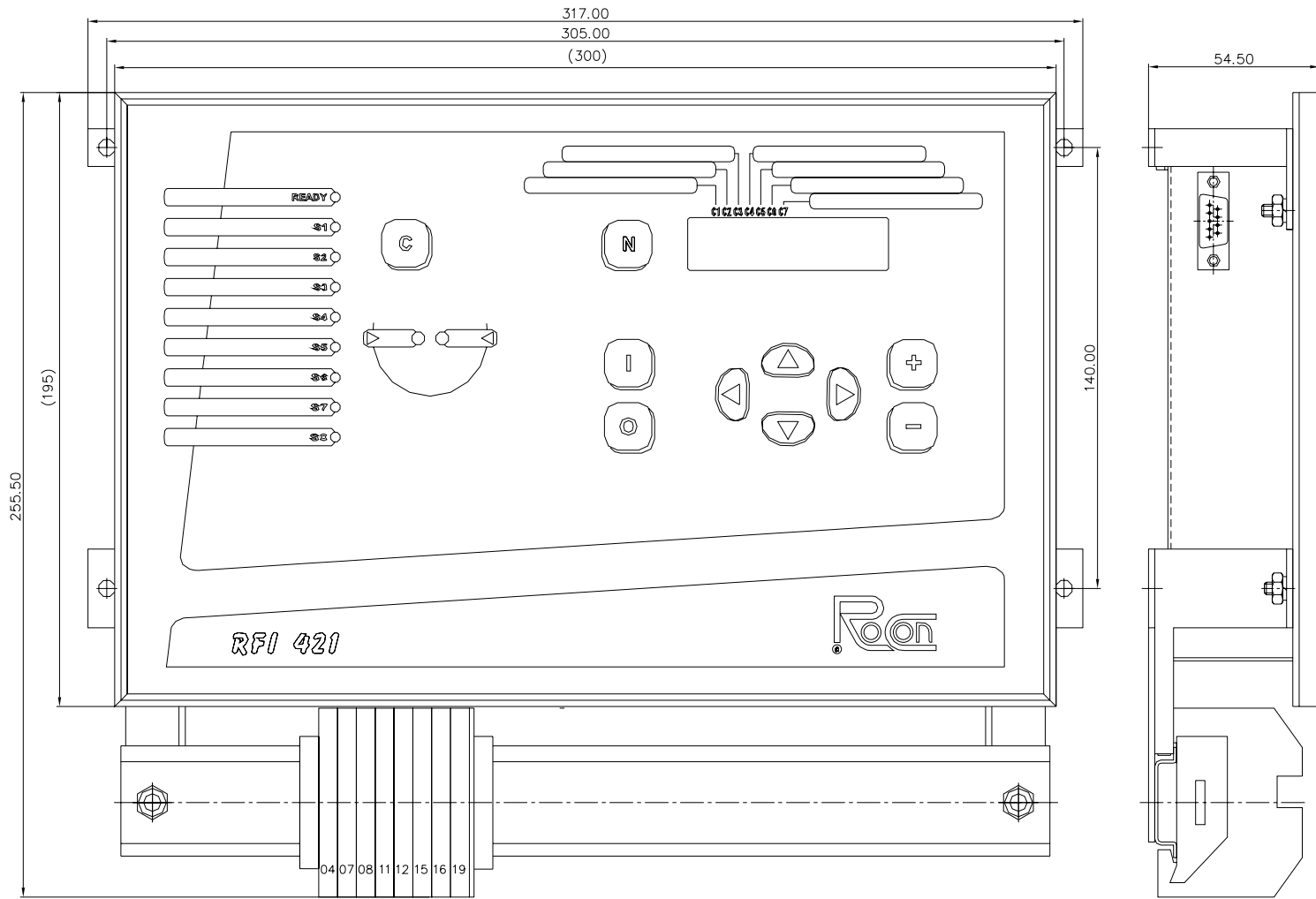


Fig. 1c: Surface mounting dimensions

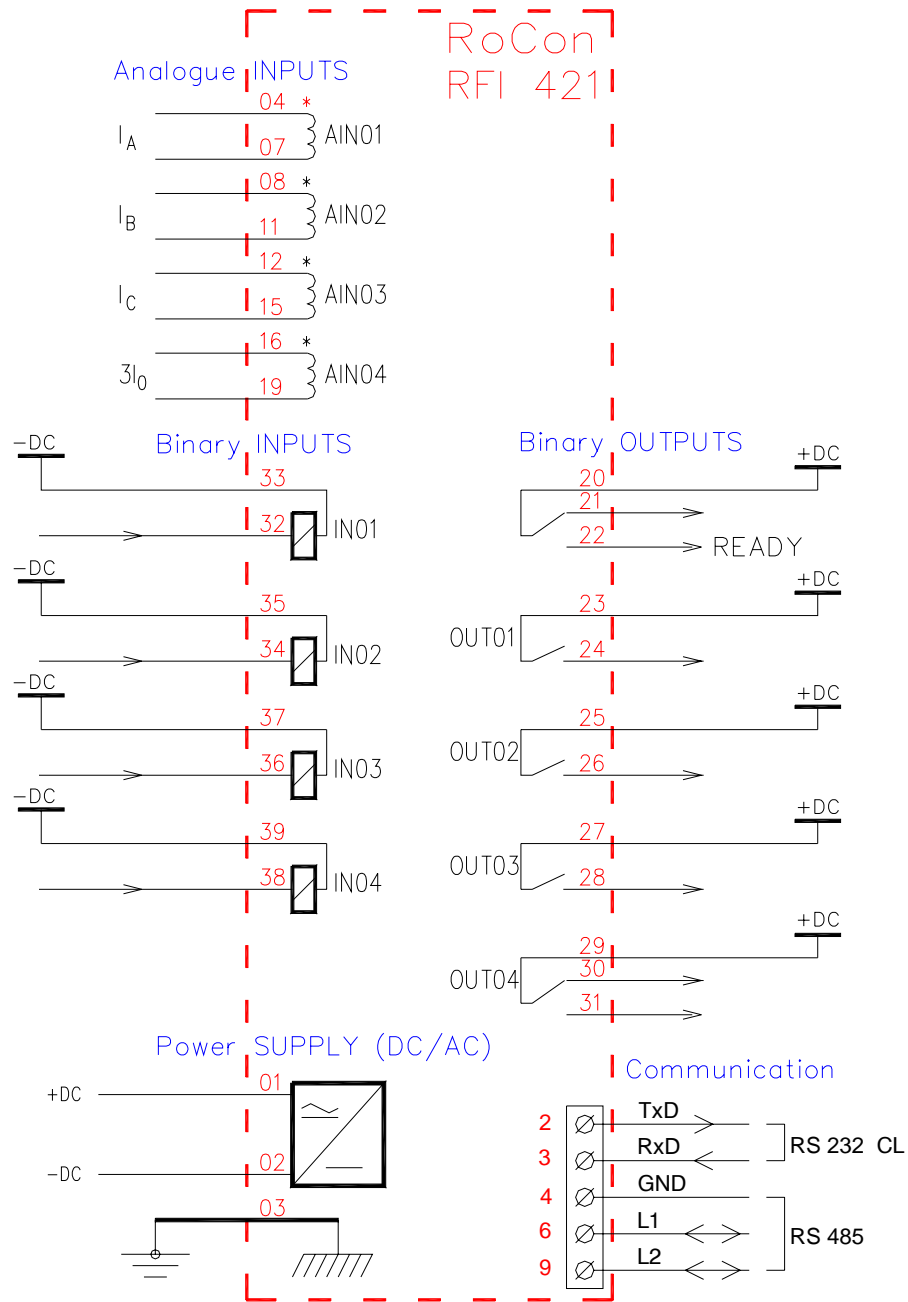


Fig. 2: Connection diagram