

Schemes – RFI 421

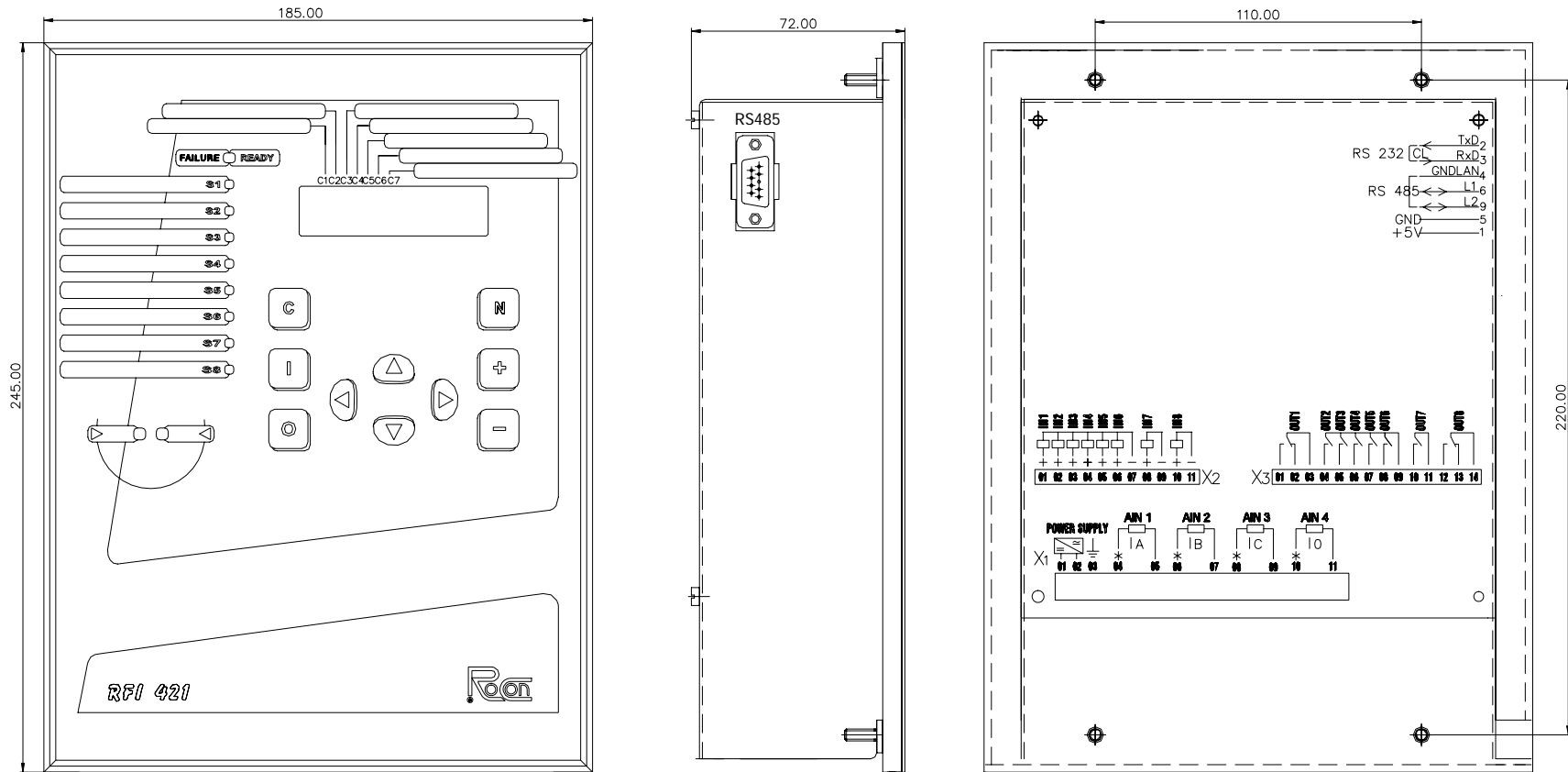


Fig.1a: Dimension – flush mounting

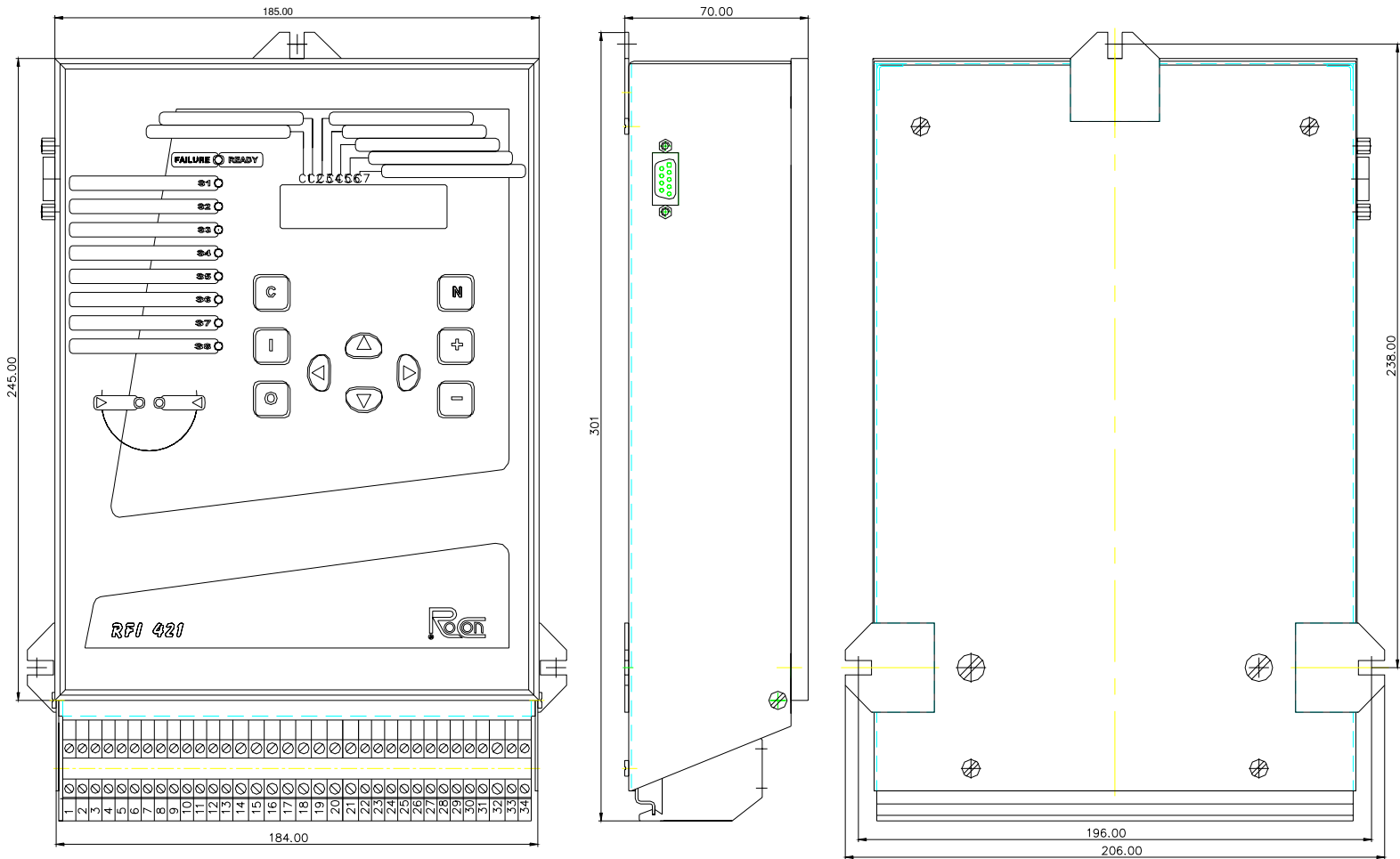


Fig. 1b: Dimension – surface mounting

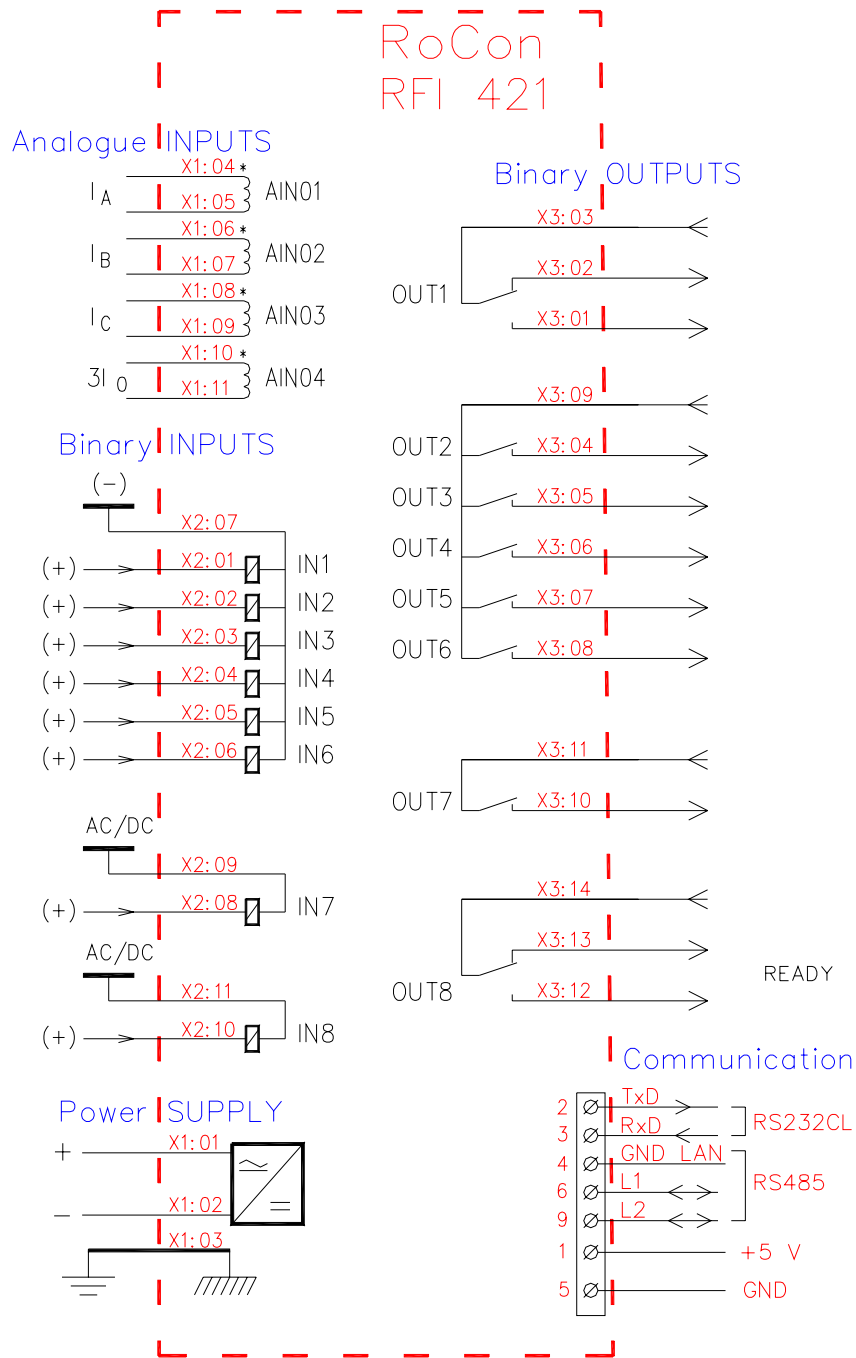
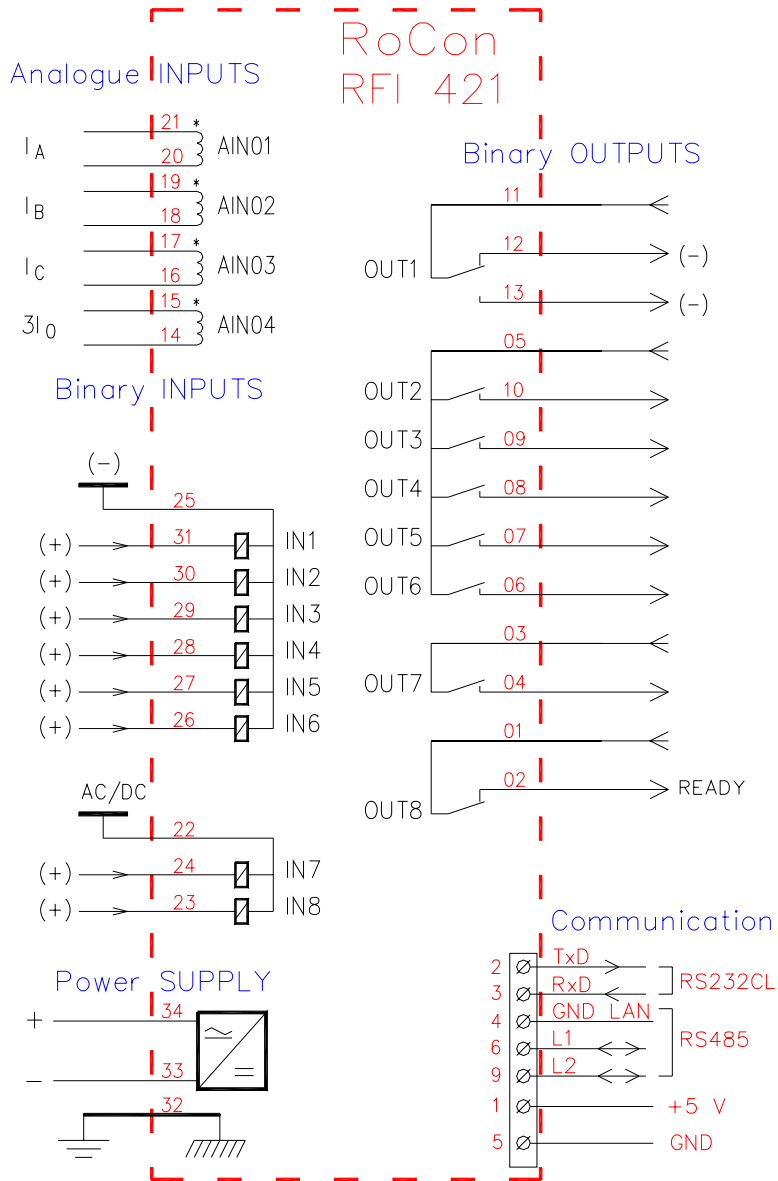


Fig. 2a: Connection diagram – for flush mounting



(+)	Out 8 H.3	(+)	Out 7	(+)	Out 6	Out 5	Out 4	Out 3	Out 2	(+)	Out 1 H.3	Out 1 H.O.	AIN04	AIN03	AIN02	AIN01	AC / - DC	In 8	In 7	- DC	In 6	In 5	In 4	In 3	In 2	In 1		- DC	+ DC				
01	02	03	04	05	06	07	08	09	10	11	12	13	14	15	16	17	18	19	20	21	22	23	24	25	26	27	28	29	30	31	32	33	34

Fig. 2b: Connection diagram – for surface mounting